

EM-OTS-2 (910496-000) and EMA-2 (910497-000) Changes

Old Part Number	Old Description	New Part Number	New Description
910369-000	EM-OTS-2, EAR-MIC ASSY OTS FFM	910496-000	EM-OTS-2, EAR-MIC ASSY OTS FFM,V3
911060-001	EMA-2,MIC/EAR,AGA,DUAL EP-3,PTT	910497-000	EMA-2,MIC/EAR,AGA,DUAL EP-3,PTT,V3

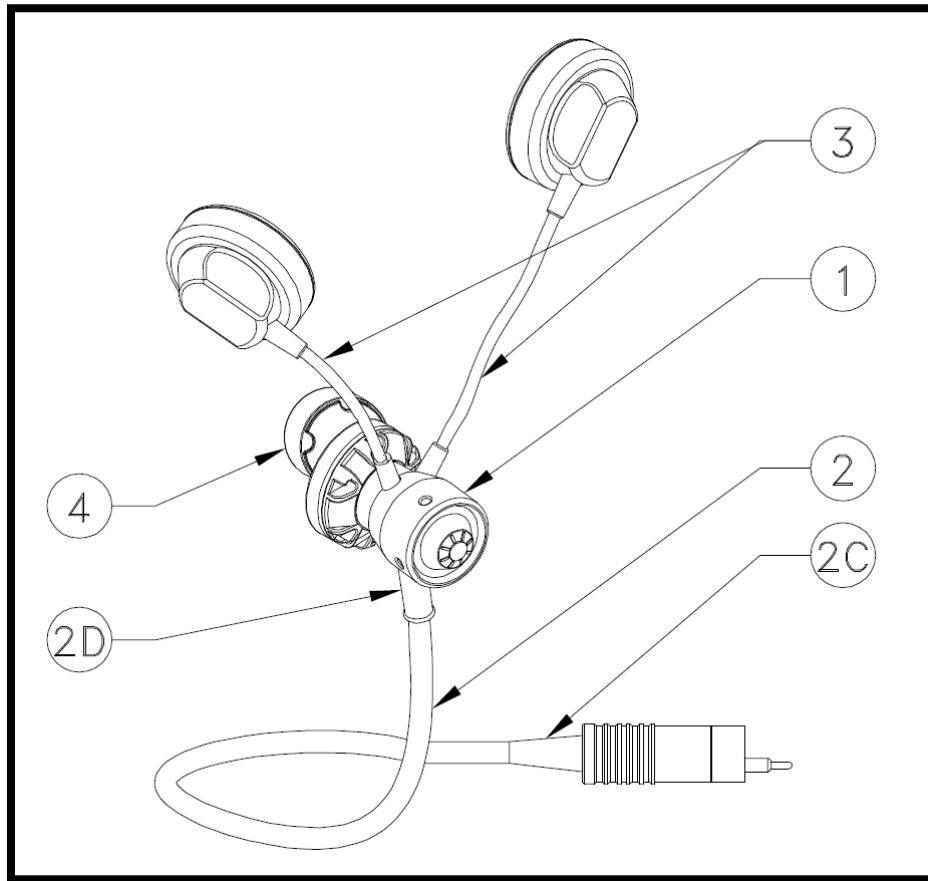


Figure 1: EM-OTS-2, V3 (910496-000). See table below for changes made compared to 910369-000.

No.	Section Changed	Details
1	PTT Circuit	A. A PTT protection circuit was added to prevent the switch from failing when connected to an Amron box or digital multi meter
2	Hi-Use Cable durability	A. Cable has Kevlar for added tensile strength B. Microphone wire size has been increased C. Strain relief between Hi-Use connector and cable has been enlarged D. Strain relief material between Hi-Use cable and PTT housing has been strengthened
3	Earphone Cable	A. Earphone cable has Kevlar for added strength B. Earphone cable length has been increased by 1" to prevent pulling when doff and donning the mask (EM-OTS-2 Only)
4	Microphone	A. ME-150 Microphone

# Microphone Specifications

Specification	ME-16R	ME-150
Image		
Impedance	150 Ohm at 1kHz	150 Ohm at 1kHz
Minimum load impedance	150 Ohm	150 Ohm
Sensitivity	-56dB at 1kHz	-55dB at 1kHz
Flooded Depth change	12 fsw	12 fsw
Side of the Microphone to talk in to	Back	Front
Mounting	Two screws thread into the base of the mic. Microphone is secured to bushings with two screws.	Two set-screws fasten to nickel wires